



**FACSIMILE EQUIPMENT  
PARTS REFERENCE LIST**

**MODEL: FAX-8650P**

**(For Germany / United Kingdom / France /  
Norway / Belgium / Netherlands /  
Switzerland / Sweden)**

© Copyright Brother 1998

All rights reserved

No part of this publication may be reproduced in any form or by any means without permission in writing from the publisher.

Specifications are subject to change without prior notice.

## NOTES FOR USING THIS PARTS REFERENCE LIST

1. In the case of ordering parts, it needs mentioning the following items:

- (1) Code
- (2) Q' ty
- (3) Description

Note: No orders without Parts Code or Tool No. can be accepted.

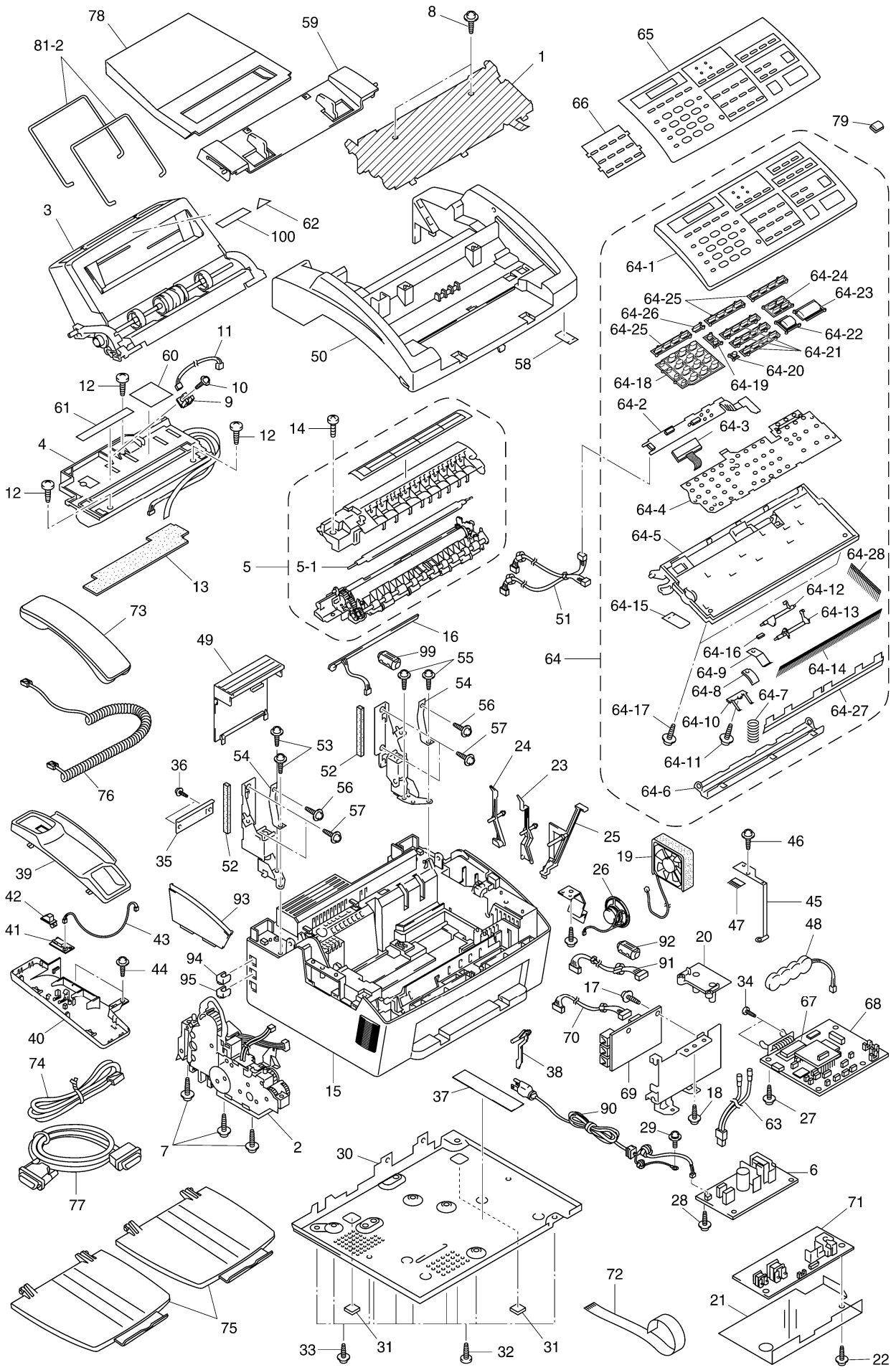
[Example]

REF.NO.	CODE	Q' TY	DESCRIPTION	REMARKS

2. Parts change will be informed by the technical information.

### COUNTRIES

GERMANY ----- GER  
UNITED KINGDOM ----- UK  
FRANCE ----- FRA  
NORWAY ----- NOR  
BELGIUM ----- BEL  
NETHERLANDS ----- NLD  
SWITZERLAND ----- CHE  
SWEDEN ----- SWE



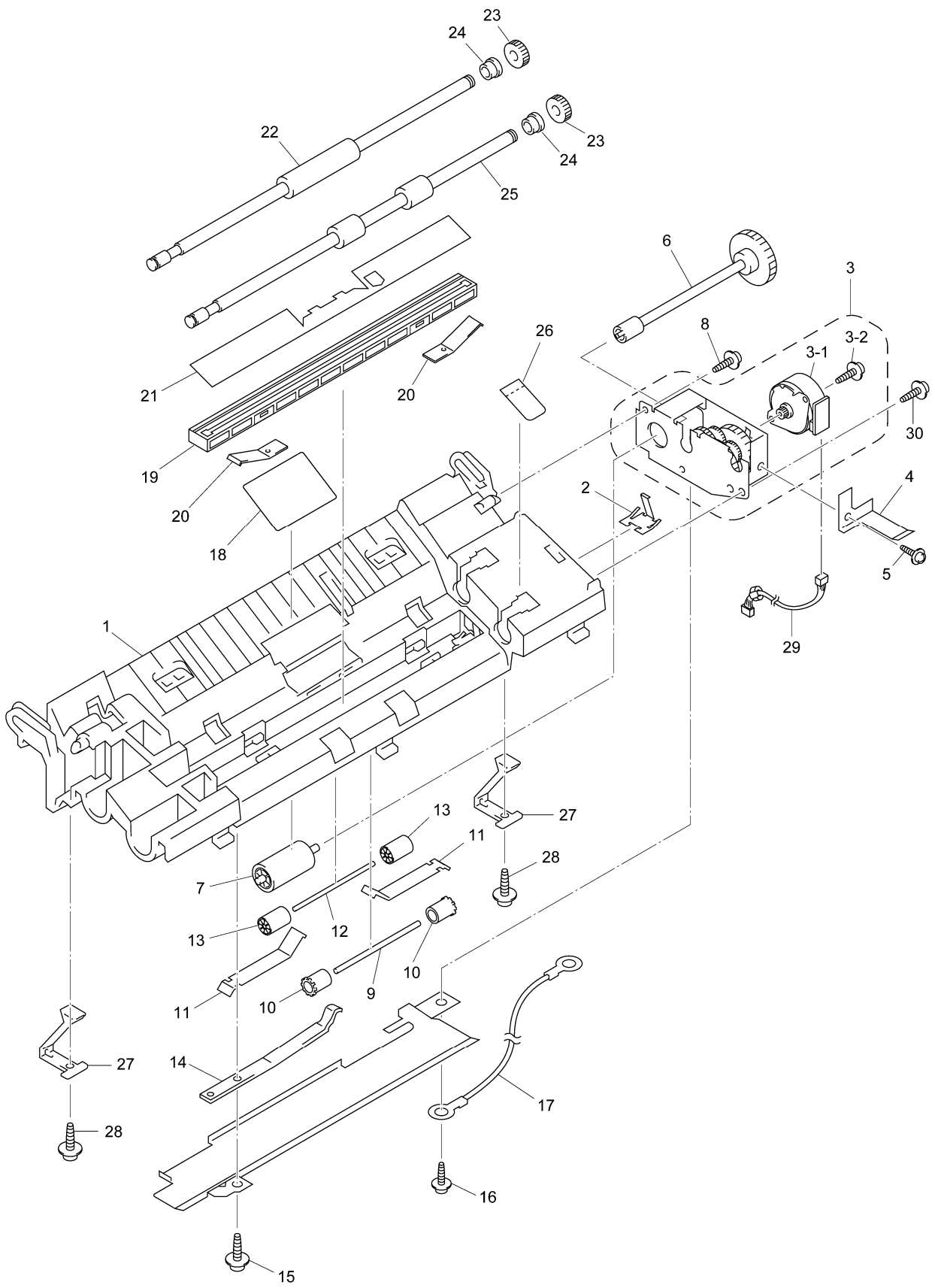
REF.NO.	CODE	QTY	DESCRIPTION	REMARKS
<b>1</b>			<b>SCANNER FRAME ATTACHMENT</b>	
2	LH0698001	1	GEAR DRIVE UNIT	
(2-1)	LH0695001	1	PAPER FEED SOLENOID ASSY	
3	UL6300004	1	MULTI-PURPOSE SHEET FEEDER, WHITE(1138)	
4	UU7134001	1	LASER UNIT	
5	UU7442001	1	HEAT-FIXING UNIT, 240V	
5-1	UL6880001	1	FU LAMP, 240V	
(5-2)	UL6667001	1	THERMISTOR ASSY	
(5-3)	UL6681001	1	PINCH ROLLER ASSY	
(5-4)	UL6682001	4	PINCH ROLLER SPRING	
6	UG4557001	1	LOW-VOLTAGE POWER SUPPLY PCB ASSY, 230V(WITHOUT AC CORD)	
7	087412016	3	TAPTITE, CUP B M4X20	
8	087311016	2	TAPTITE, CUP B M3X10	
9	UG4220001	1	TONER SENSOR PCB ASSY	
10	087310815	1	TAPTITE, CUP B M3X8	
11	UG4635001	1	TONER SENSOR HARNESS	
12	085411215	3	TAPTITE, BIND B M4X12	
13	UU7043001	1	SCANNER SPONGE	
14	085411215	1	TAPTITE, BIND B M4X12	
15	UU7044001	1	MAIN COVER ASSY, WHITE(1138)	
16	UL6887001	1	EL BOARD	
17	087320616	1	TAPTITE, CUP S M3X6	
18	085411215	1	TAPTITE, BIND B M4X12	
19	UU7051001	1	FAN	
20	UU7054001	1	FAN SUPPORT	
21	UU7055001	1	INSULATION FILM	
22	085411215	1	TAPTITE, BIND B M4X12	
23	UU7056001	1	REGISTRATION SENSOR ACTUATOR	
24	UU7057001	1	SHEET FEEDER COVER SENSOR ACTUATOR	
25	UU7058001	1	TOP COVER SENSOR ACTUATOR	
26	UG4509001	1	SPEAKER	
27	085411215	1	TAPTITE, BIND B M4X12	
28	087320616	1	TAPTITE, CUP S M3X6	
29	UF6559001	1	SCREW, PAN (WASHER) M4X8DB	
30	UU7062001	1	BOTTOM PLATE	
31	UD4019001	2	RUBBER FOOT	
32	085411215	7	TAPTITE, BIND B M4X12	
33	087320616	3	TAPTITE, CUP S M3X6	
34	002300616	2	SCREW, PAN M3X6	
35	UU7064001	1	OPTION COVER	
36	0A5300805	2	SCREW, PAN (S/P WASHER) M3X8	
37	UU7322001	1	SPACER 30X145	
38	UL6717001	1	PAPER EJECTION SENSOR ACTUATOR	
39	-----		NOT USED	
40	-----		NOT USED	
41	-----		NOT USED	
42	-----		NOT USED	
43	-----		NOT USED	
44	087311016	2	TAPTITE, CUP B M3X10	
45	UU7065001	1	SCANNER GROUNDING PLATE	
46	087310815	1	TAPTITE, CUP B M3X8	
47	UF7676001	1	ANTI-STATIC BRUSH	
48	UG3732001	1	BATTERY ASSY	
49	UU7006001	1	ROM COVER, WHITE(1138)	

REF.NO.	CODE	QTY	DESCRIPTION	REMARKS
50	UU7001001	1	TOP COVER, WHITE(1138)	
51	UG4502001	1	CIS & PANEL-MAIN HARNESSSES	
52	UU7168001	2	HARNESS SUPPORT SPONGE	
53	087411215	2	TAPTITE, CUP B M4X12	
54	UU7170001	2	TOP COVER STOPPER 12	
55	087411215	2	TAPTITE, CUP B M4X12	
56	087320616	2	TAPTITE, CUP S M3X6	
57	085411215	4	TAPTITE, BIND B M4X12	
58	UF7187001	1	SHIELD FILM	
59	UU7090001	1	DOCUMENT GUIDE BASE, WHITE(1138)	
60	UL6740001	1	LASER CAUTION LABEL	
61	UL6741001	1	TONER CAUTION LABEL	
62	-----		NOT USED	
63	UG4634001	1	HEARTER HARNESS (BROWN AND BLUE WIRES)	
64	UU1480001	1	CONTROL PANEL ASSY, WHITE(1138)	
64-1	UU7003001	1	CONTROL PANEL, WHITE(1138)	
64-2	UG4519001	1	CONTROL PANEL PCB ASSY	
64-3	UG4552000	1	LCD	
64-4	UG4553001	1	FPC KEY	
64-5	UU7004001	1	PANEL REAR COVER	
64-6	UU7101001	1	DOCUMENT PRESSURE BAR	
64-7	UU7147001	1	DOCUMENT PRESSURE BAR SPRING	
64-8	UU7521001	1	SEPARATION RUBBER	
64-9	UU7105001	1	ADF SPRING PLATE	
64-10	UU7106001	1	SPRING PLATE, ADF FRONT	
64-11	UF6116001	1	TAPTITE, PAN B M3X6	
64-12	UU7107001	1	DOCUMENT FRONT SENSOR ACTUATOR	
64-13	UU7108001	1	DOCUMENT REAR SENSOR ACTUATOR	
64-14	UU7505001	1	ANTI-STATIC BRUSH 1	
64-15	UF7187001	1	SHIELD FILM	
64-16	UU7285001	1	ANTI-VIBRATION RUBBER	
64-17	087310815	2	TAPTITE, CUP B M3X8	
64-18	UF4393003	1	KEY, TEL, WHITE(1138)	
64-19	UU7099001	1	KEY, VOLUME, WHITE(1138)	
64-20	UF4576003	1	KEY, SHIFT, WHITE(1138)	
64-21	UF8176003	3	KEY, ONE TOUCH, WHITE(1138)	
64-22	UF8173002	1	KEY, STOP, ORANGE(3172)	
64-23	UF8172004	1	KEY, START, BLUE(6238)	
64-24	UU7100001	1	KEY, COPY 2, WHITE(1138)	
64-25	UF9118001	3	KEY, FUNCTION 1, WHITE(1138)	
64-26	UF5581005	1	KEY, FUNCTION 2, WHITE(1138)	
64-27	UU1477001	1	CIS SHIELD FILM	
64-28	UU7506001	1	ANTI-STATIC BRUSH 2	
65	UU7451001	1	PANEL SHEET FOR GER	
65	UU7452001	1	PANEL SHEET FOR UK/CHE	
65	UU7453001	1	PANEL SHEET FOR FRA	
65	UU7454001	1	PANEL SHEET FOR NOR	
65	UU7455001	1	PANEL SHEET FOR BEL	
65	UU7456001	1	PANEL SHEET FOR NLD	
65	UU7457001	1	PANEL SHEET FOR SWE	
66	UU7139001	1	ADDRESS LABEL	
67	UG4633001	1	MASK ROM-PC/LAN	
68	UG4639001	1	MAIN PCB ASSY	
69	UG4668003	1	NCU PCB ASSY FOR GER	

REF.NO.	CODE	QTY	DESCRIPTION	REMARKS
69	UG4669004	1	NCU PCB ASSY FOR UK	
69	UG4672005	1	NCU PCB ASSY FOR FRA	
69	UG4677007	1	NCU PCB ASSY FOR NOR	
69	UG4670008	1	NCU PCB ASSY FOR BEL	
69	UG4671009	1	NCU PCB ASSY FOR NLD	
69	UG4668010	1	NCU PCB ASSY FOR CHE	
69	UG4669026	1	NCU PCB ASSY FOR SWE	
(69-1)	UG6776000	1	ARRESTER:RA102 (LOCATION:A1)	
(69-2)	UG6775000	1	ARRESTER:RA311 (LOCATION:A2)	
(69-3)	UG6798000	2	PHOTO COUPLER:TLP621 (LOCATION:PH2,PH4)	
(69-4)	UG3272000	1	IC:THS-65 (LOCATION:T3)	
(69-5)	----		NOT USED	
(69-5)	----		NOT USED	
70	UG4505001	1	NCU HARNESS	
71	UG4527001	1	HIGH-VOLTAGE POWER SUPPLY PCB ASSY	
72	UG4507001	1	HV FLAT CABLE 12	
73	----		NOT USED	
74	UG3625001	1	TELEPHONE LINE CORD FOR GER	
74	UG3626001	1	TELEPHONE LINE CORD FOR UK	
74	UG3627001	1	TELEPHONE LINE CORD FOR FRA	
74	UG3629001	1	TELEPHONE LINE CORD FOR NOR	
74	UG1575001	1	TELEPHONE LINE CORD FOR BEL	
74	UG3631001	1	TELEPHONE LINE CORD FOR NLD	
74	UG3469000	1	TELEPHONE LINE CORD FOR CHE	
74	UG3635001	1	TELEPHONE LINE CORD FOR SWE	
75	UU7114001	2	PAPER EJECTION TRAY, WHITE(1138)	
76	----		NOT USED	
77	----		NOT USED	
78	UU7117001	1	DUST COVER	
79	UU7110001	1	KEY, COPY 1, WHITE(1138)	
80	----		NOT USED	
(81)	UU7497001	1	OWNER'S MANUAL ASSY FOR GER (INCLUDING OWNER'S MANUAL(REF.NO.81-1), WARRANTY CARD AND TRAY EXTENSION ASSY(REF.NO.81-2))	
(81)	UU7238001	1	OWNER'S MANUAL ASSY FOR UK (INCLUDING OWNER'S MANUAL(REF.NO.81-1), 3 WARRANTY CARDS, CAUTION LABEL AND TRAY EXTENSION ASSY(REF.NO.81-2))	
(81)	UU7239001	1	OWNER'S MANUAL ASSY FOR FRA (INCLUDING OWNER'S MANUAL(REF.NO.81-1), 2 WARRANTY CARDS AND TRAY EXTENSION (REF.NO.81-2))	
(81)	UU7240001	1	OWNER'S MANUAL ASSY FOR NOR (INCLUDING OWNER'S MANUAL(REF.NO.81-1), 2 WARRANTY CARDS AND TRAY EXTENSION (REF.NO.81-2))	
(81)	UU7503001	1	OWNER'S MANUAL ASSY FOR BEL (INCLUDING 2 OWNER'S MANUALS(REF.NO.81-1), WARRANTY CARD AND TRAY EXTENSION ASSY(REF.NO.81-2))	
(81)	UU7195001	1	OWNER'S MANUAL ASSY FOR NLD (INCLUDING OWNER'S MANUAL(REF.NO.81-1), 2 WARRANTY CARDS AND TRAY EXTENSION (REF.NO.81-2))	
(81)	UU7242001	1	OWNER'S MANUAL ASSY FOR CHE (INCLUDING 2 OWNER'S MANUALS(REF.NO.81-1), WARRANTY CARD AND TRAY EXTENSION ASSY(REF.NO.81-2))	

REF.NO.	CODE	QTY	DESCRIPTION	REMARKS
(81)	UU7243001	1	OWNER'S MANUAL ASSY FOR SWE (INCLUDING OWNER'S MANUAL(REF.NO.81-1), WARRANTY CARD AND TRAY EXTENSION ASSY(REF.NO.81-2))	
(81-1)	UU7498003	1	OWNER'S MANUAL FOR GER	
(81-1)	UU7244004	1	OWNER'S MANUAL FOR UK	
(81-1)	UU7244005	1	OWNER'S MANUAL FOR FRA	
(81-1)	UU7244007	1	OWNER'S MANUAL FOR NOR	
(81-1)	UU7498008	1	OWNER'S MANUAL FOR BEL(DUTCH)	
(81-1)	UU7201008	1	OWNER'S MANUAL FOR BEL/CHE (FRENCH)	
(81-1)	UU7198009	1	OWNER'S MANUAL FOR NLD	
(81-1)	UU7244010	1	OWNER'S MANUAL FOR CHE (GERMAN)	
(81-1)	UU7244026	1	OWNER'S MANUAL FOR SWE	
(81-2)	UL7157001	2	TRAY EXTENSION ASSY (WITH TUBE)	
(82)	----		NOT USED	
(83)	UU7248001	1	DISK UNIT FOR UK/FRA/BEL/NLD/CHE	
(83)	UU7248002	1	DISK UNIT FOR NOR/SWE	
(84)	UE1888001	1	CARTON, BROTHER	
(85)	UE1852001	1	STYROFOAM ASSY	
(86)	UE2136001	1	BAG, 700X1000H (FOR MACHINE)	
(86)	UE2136002	1	BAG, 700X1000H, ONLY FOR FRA	
(87)	UE1855001	1	CARTON (FOR MANUAL)	
(88)	UU0456001	1	PROTECTION PAPER	
(82)	----		NOT USED	
90	UG4575001	1	AC CORD ASSY FOR GER/FRA/NOR/BEL/NLD/SWE	
90	UG4576001	1	AC CORD ASSY FOR UK	
90	UG4578001	1	AC CORD ASSY FOR CHE	
91	UG4636001	1	NCU HARNESS B	
92	UG4641001	1	FERRITE CORE NF-80	
93	UU7165001	1	SIDE COVER, WHITE(1138)	
94	UF7095000	1	MJ COVER, H/S	
95	UF5745000	1	MJ COVER, EXT	
(96)	----		NOT USED	
(97)	UF2978004	4	ECOLOGY STICKER FOR CHE	<Eliminated>
(98)	LE0019001	1	FERRITE CORE BAG ASSY	
99	UG4640001	1	FERRITE CORE NF-50	
(100)	----		NOT USED	
(101)	----		NOT USED	





**1. SCANNER FRAME ATTACHMENT**

REF.NO.	CODE	QTY	DESCRIPTION	REMARKS
1	UU7002001	1	SCANNER FRAME	
2	UU7012001	1	CIS SIDE SPRING	
3	UU7434001	1	SCANNER DRIVE UNIT	
3-1	UU7490001	1	SCANNER MOTOR	
3-2	0A4300605	1	SCREW, PAN (S/P WASHER) M3X6	
4	UU7029001	1	SCANNER GROUNDING LEAF SPRING	
5	087320616	1	TAPTITE, CUP S M3X6	
6	UU7030001	1	SEPARATION ROLLER GEAR	
7	UU7031001	1	SEPARATION ROLLER	
8	087311016	1	TAPTITE, CUP B M3X10	
9	UF4369000	1	ROLLER SHAFT	
10	UL6244002	2	PINCH ROLLER	
11	UU7032001	2	PRESSURE ROLLER LEAF SPRING	
12	UF4369000	1	ROLLER SHAFT	
13	UF9009001	2	PRESSURE ROLLER	
14	UU7033001	1	PINCH ROLLER LEAF SPRING	
15	087310815	1	TAPTITE, CUP B M3X8	
16	087320616	1	TAPTITE, CUP S M3X6	
17	UG4595001	1	GROUNDING WIRE	
18	UU7364001	1	ROLLER FILM	
19	UG4630001	1	CIS UNIT	
20	UU7035001	2	CIS LEAF SPRING	
21	UU7036001	1	CIS FILM	
22	UU7037001	1	DOCUMENT FEED ROLLER	
23	UU7039001	2	GEAR 27	
24	UU7284001	2	BUSHING 6	
25	UU7040001	1	DOCUMENT EJECTION ROLLER	
26	UF7187001	1	SHIELD FILM	
27	UU7013001	2	CONTROL PANEL LOCK (LEAF SPRING)	
28	087310815	2	TAPTITE, CUP B M3X8	
29	UG4501001	1	SCANNER MOTOR HARNESS	
30	087310815	1	TAPTITE, CUP B M3X8	

**brother**®